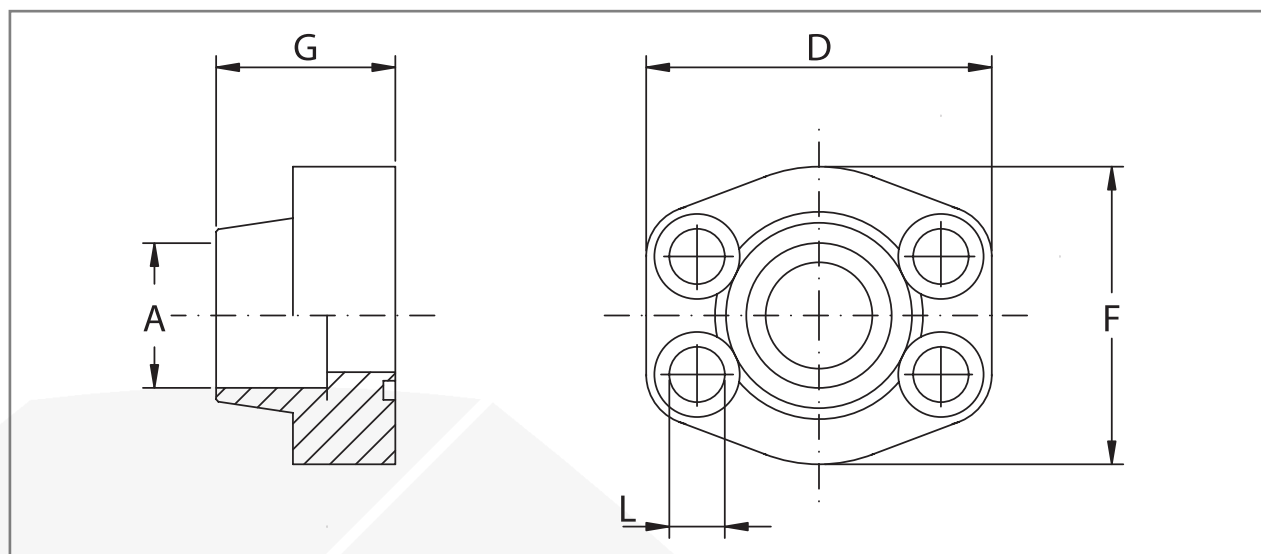




BRIDAS
SOLDABLES
DE ENCAJE

SOCKET
WELD
FLANGES

OSSO FACTORY



Presion maxima/ maximum pressure Kg/cm ²	Medida/Size	Tipo/Type	Dimensiones/ Dimensions				Tornillo/Screws (L)		Or tipo/ Or type
			A	D	F	G	Metrico/Metric	UNC	
SERIE 3000									
345	1/2"	BLB-3000-SW-0808	21,6	57	46	36	M8x30	5/16"x1"1/4	2-210
345	3/4"	BLB-3000-SW-1212	27,2	65	50	36	M10x35	3/8"x1"1/2	2-214
345	1"	BLB-3000-SW-1616	34,0	70	55	38	M10x35	3/8"x1"1/2	2-219
276	1"1/4	BLB-3000-SW-2020	42,8	79	68	41	M10x40	7/16"x1"3/4	2-222
207	1"1/2	BLB-3000-SW-2424	48,6	93	78	45	M12x45	1/2"x1"3/4	2-225
207	2"	BLB-3000-SW-3232	61,0	102	90	45	M12x45	1/2"x1"3/4	2-228
172	2"1/2	BLB-3000-SW-4040	76,6	114	105	50	M12x45	1/2"x1"3/4	2-232
138	3"	BLB-3000-SW-4848	90,5	134	124	50	M16x50	5/8"x2"	2-237
34	3"1/2	BLB-3000-SW-5656	103,0	152	136	48	M16x50	5/8"x2"	2-241
34	4"	BLB-3000-SW-6464	115,5	162	146	48	M16x50	5/8"x2"	2-254
SERIE 6000									
414	3/4"	BLB-6000-SW-1212	27,2	71	55	35	M10x40	3/8"x1"1/2	2-214
414	1"	BLB-6000-SW-1616	34,0	81	65	42	M12x45	7/16"x1"3/4	2-219
414	1"1/4	BLB-6000-SW-2020	42,8	95	78	45	M14x45	-	2-222
414	1"1/2	BLB-6000-SW-2424	48,6	112	94	50	M16x55	5/8"x2"1/4	2-225
414	2"	BLB-6000-SW-3232	61,0	134	114	65	M20x70	3/4"x2"3/4	2-228

DESIGNACIÓN POR PEDIDO DESIGNATION FOR ORDER	MATERIAL	
	1045/1020	AISI 316L
Solo brida Only flange	BLB..	IBLB..
Brida completa de tornillos métricos, arandelas y junta tórica Flange complete of metric screws, grower type washers and o-ring	MBLB..	MIBLB..
Brida completa de tornillos unc, arandelas y junta tórica Flange complete of unc screws, grower type washers and o-ring	UBLB..	UIBLB..