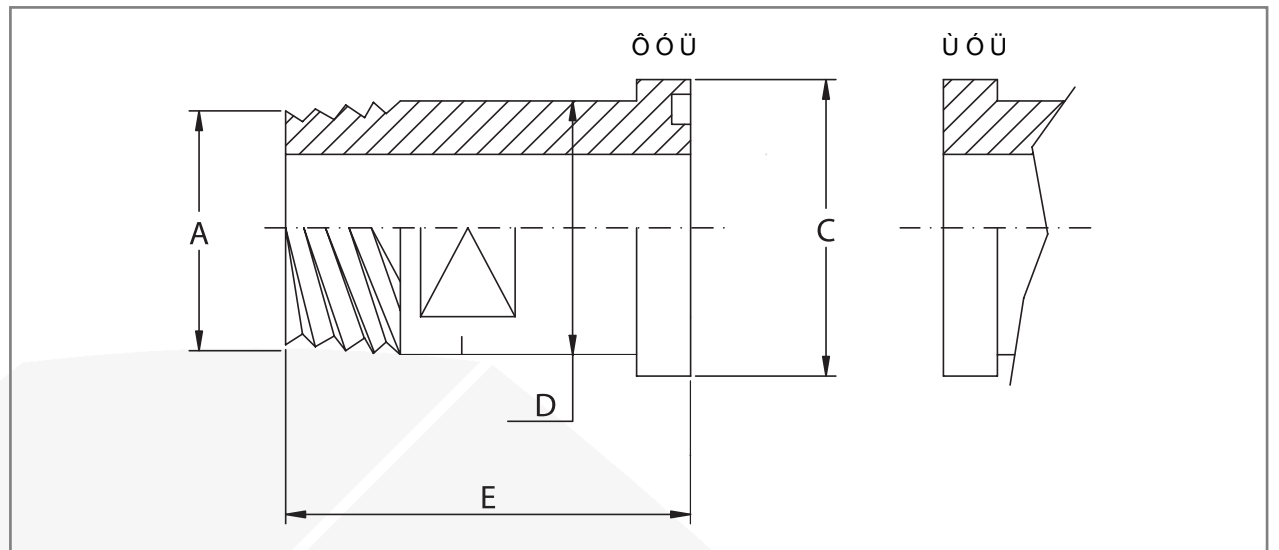




OSSO FACTORY

ADAPTADORES  
ROSCADOS  
CONICO NPT  
  
NPT TAPERED  
THREADED  
ADAPTERS



Presion maxima/ maximum pressure Kg/cm <sup>2</sup>	Medida/Size	Tipo/Type	Dimensiones/ Dimensions				O-ring
			A	C	D	E	
<b>SERIE 3000</b>							
345	3/4"	BR-3000-RMNPT-1212	3/4"	38,1	32	55	2-214
345	1"	BR-3000-RMNPT-1616	1"	44,4	38	60	2-219
276	1"1/4	BR-3000-RMNPT-2020	1"1/4	50,8	43	65	2-222
207	1"1/2	BR-3000-RMNPT-2424	1"1/2	60,3	50	70	2-225
207	2"	BR-3000-RMNPT-3232	2"	71,4	62	75	2-228
<b>SERIE 6000</b>							
414	3/4"	BR-6000-RMNPT-1212	3/4"	41,3	32	60	2-214
414	1"	BR-6000-RMNPT-1616	1"	47,6	38	70	2-219
414	1"1/4	BR-6000-RMNPT-2020	1"1/4	54,0	44	75	2-222
414	1"1/2	BR-6000-RMNPT-2424	1"1/2	63,5	51	80	2-225
414	2"	BR-6000-RMNPT-3232	2"	79,4	67	90	2-228

DESIGNACIÓN POR PEDIDO DESIGNATION FOR ORDER	MATERIAL	
	1045/1020	AISI 316L
Adaptador con ranura para junta tórica Adapter with o-ring groove	CBR..	CIBR..
Adaptador sin ranura para junta tórica Adapter without o-ring groove	SBR..	SIBR..